

# THERMOPLAN B & W 3 CTS 2

Quality at the touch of a button.  
Customised coffee at scale.

## FEATURES + BENEFITS

- Made to last – the Black&White 3 is built to last – durable aluminium grinders, ceramic burrs and a solid stainless steel chassis guarantee durability and reliability. Clever modularity also allows front-end module access, minimising down time.
- Versatility and menu flexibility – a wide range of popular drinks, and a customisable LED colour touch screen means the B&W3 can help you deliver a complete coffee offer.
- Coffee at scale – a blend of innovative espresso technology, including a high capacity 4 litre boiler, paired with barista experience allows operators to deliver a range of drink options at volume.
- Key features – automated cleaning, exchangeable modular design, cost-cutting 'energy save' technology, made in Switzerland and cool touch steam wand.



## KEY STATISTICS

- | **Product:** Coffee. Tea. Steam
- | **Power (watts):** 6200 single phase  
7500 three phase
- | **Milk:** Steam wand

**Product code:** 6483

**THERMOPLAN**  
**B&W3 CTS2**

Quality at the touch of a button.  
Customised coffee at scale.

**CAPACITY AT PEAK**



High volume

**CAPACITY PER DAY**








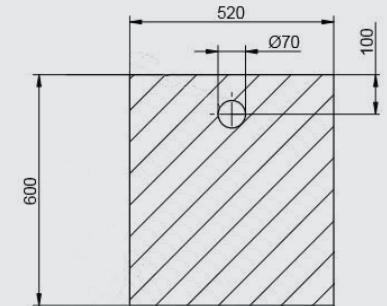
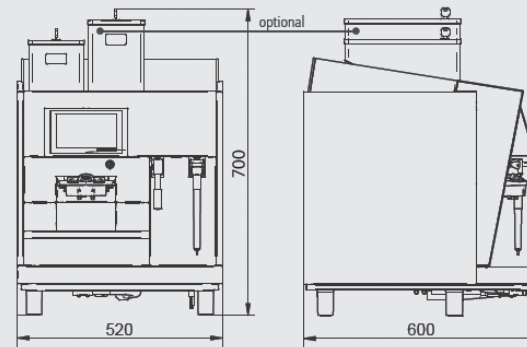
High volume

**RECOMMENDED PRODUCTS**

Cleaning Tablets  
Product code: CLESCH0102

CTS Barista Pack  
Product code: SERUCC0301

Water connection	2-4 BAR isolated 15mm feed, 3/4" BSP screw fitting	
Filter type	Brita Purity 600/1200 C50	
Waste	1.5" downpipe to P-trap, minimum length 8"	
Power (watts)	6200 single phase / 7500 three phase	
Power requirements	<b>As standard</b> 1 x 230Vac 32A single phase commando socket	
	<b>Optional – must be specified when ordered</b> 1 x 415Vac three phase commando socket, 16A per phase	
Breaker	C	
Drinks dispensed simultaneously	N/A	
Milk option	Steam wand	
Product	Coffee. Tea. Steam	
Weight (kg)	78	
Dimensions w x d x h (mm)	520 x 600 x 700	



Hole is required through the counter